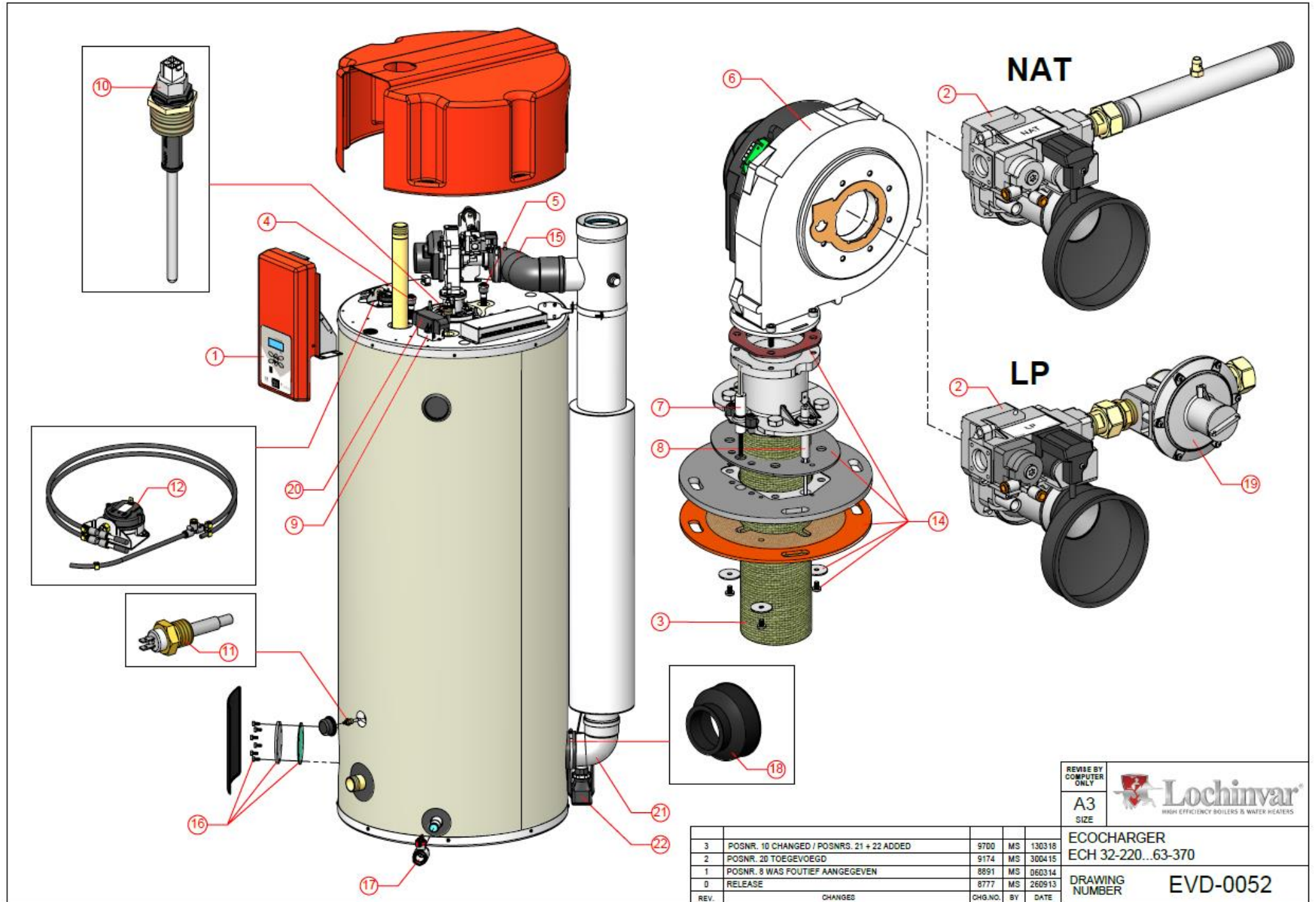


ECH Spare Parts List (GCE & PGCE Models)

Item No	Description of item	Item Comments	Drawing Number EVD0052 (page 2)				Drawing Number EVD0053 (page 3)		
			32-220	33-370	52-370	63-370	87-480	106-480	129-480
1	Digital Control Module	Only control, no cables	LV311244						
2	Gas Valve / Venturi Assembly	NAT GAS	LV310155				-		
		NAT GAS	-				LV309167		
		LPG	LV310157				-		
		LPG	-				LV309168		
3	Burner		LV309297				LV309125		
4	Power Anode / Ti-anode / Ti-electrode	Anode Assy (305 mm)	-	LV197709					
5	Power Anode / Ti-anode / Ti-electrode	Anode Assy (800 mm)	LV197710002		-				
		Anode Assy (1220 mm)	-	LV197710					
6	Combustion Fan	Fan RG148/1200-3633	LV309159				-		
		Fan RG175/2000-3633-010204	-				LV309119		
7	Hot Surface Igniter	HSI Service Kit	LV309232						
8	Detection Electrode		LV310075						
9	Potentiostat		LV306160						
10	Temp. Sensor (Upper)	Sensor Top Tank (4 pins)	LV311295						
11	Temp. Sensor (Lower)	Sensor Bottom Tank (2 pins)	LV308149						
12	Air Proving Switch	115 Pa	LV309169				-		
		210 Pa	-				LV309331		
13	Wiring Harness	Complete	LV309136						
14	Burner Service Kit	Gaskets, Screws, Nuts and Bolts	LV309608				LV309609		
15	Air Inlet Pipe		LV309148				LV309129		
16	Inspection Door Service Kit	Clean Out Door, Gaskets and Bolts	LV305082						
17	Drain Valve	1"	LV308997				LV026273004		
18	Flue Transition Collar	Rubber Reducer	LV192636				LV308196		
19	Pressure Regulator LPG	In-Line LPG Regulator	LV310180				LV3011486		
20	Potentiostat Cover		LV3011486						
21	Bend	with Siphon Connection	LV304029						
22	Siphon		LV306181						
-	Gas Isolation Valve	Gas Isolation Valve ¾"	LV300719						



REVISE BY
COMPUTER
ONLY

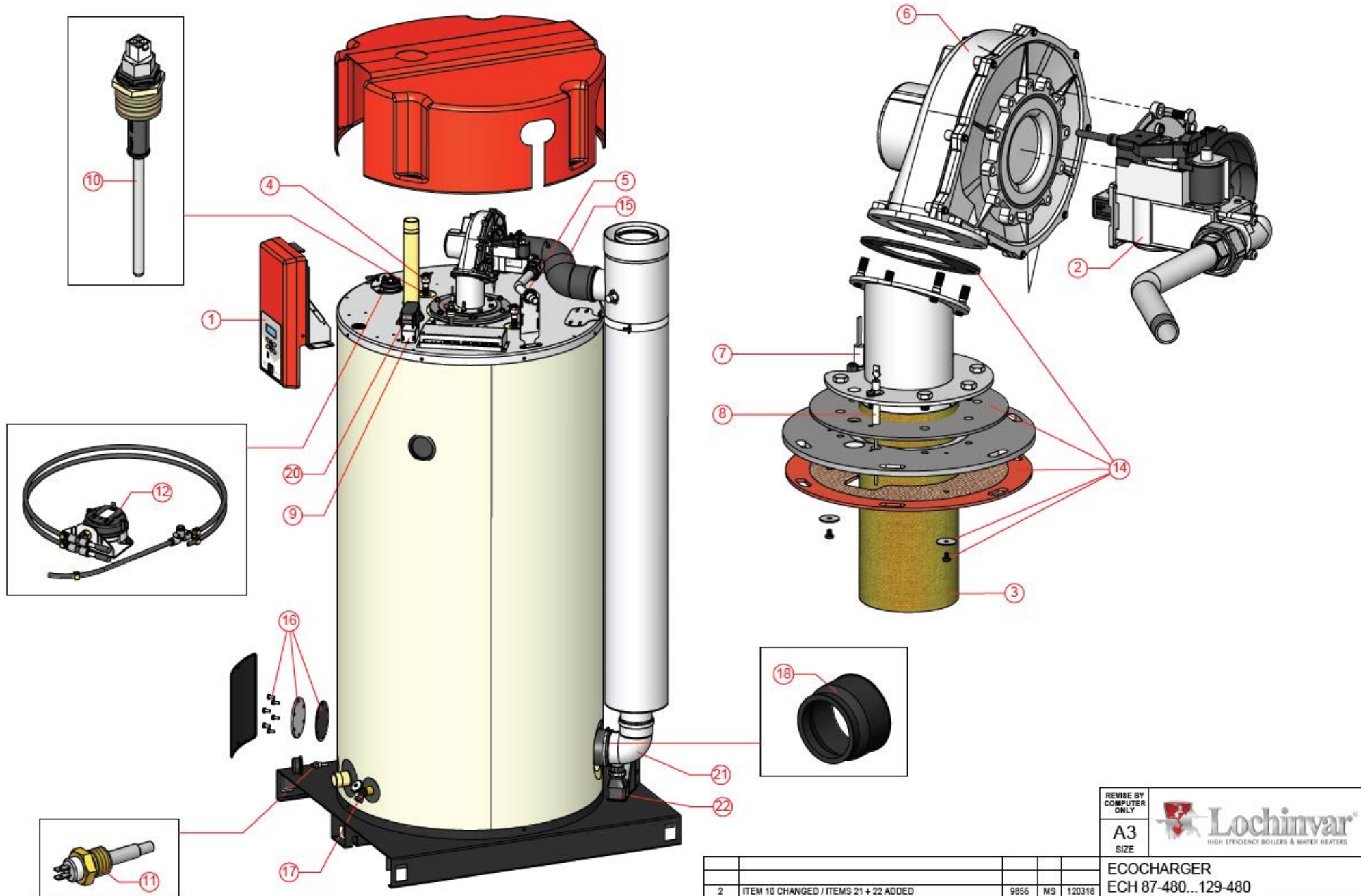
A3
SIZE

3	POSNR. 10 CHANGED / POSNRS. 21 + 22 ADDED	9700	MS	130318
2	POSNR. 20 TOEGEVOEGD	9174	MS	300415
1	POSNR. 8 WAS FOUTIEF AANGEGEVEN	8891	MS	060314
0	RELEASE	8777	MS	260913
REV.	CHANGES	CHG.NO.	BY	DATE

ECOCHARGER
ECH 32-220...63-370

DRAWING
NUMBER

EVD-0052



REV.	CHANGES	CHG.NO.	BY	DATE
2	ITEM 10 CHANGED / ITEMS 21 + 22 ADDED	9856	MS	120318
1	ITEM 20 ADDED	9174	MS	300415
0	RELEASE	8777	MS	041013