

Globe valves, 2-way, with flange PN 16

- for closed hot water and steam systems in uncritical areas
- for modulating water-side control of air handling units and heating systems



Type overview

Type	k_{vs} [m ³ /h]	DN [mm]	Stroke [mm]	S_v
H640SP	25	40	15	>100
H650SP	40	50	15	>100
H664SP	58	65	18	>100
H679SP	90	80	18	>100
H6100SP	145	100	30	>100
H6125SP	220	125	40	>100
H6150SP	320	150	40	>100

Technical data

Functional data	Flow media	Hot water and steam ($\Delta p/P1 < 0.4$), water with max. 50% volume of glycol	
	Temperature of medium	+5°C...+150°C	
	Rated pressure p_s	1600 kPa to 120°C temperature of medium 1400 kPa to 150°C temperature of medium	
	Flow characteristic	Control path A – AB: equal percentage (to VDI/VDE 2173) $n(g) = 3$, optimized in the opening range	
	Rangeability S_v	See «Type overview»	
	Leakage rate	Control path A – AB: leakage class III (DIN EN 1349 and DIN EN 60534-4)	
	Pipe connection	Flange to ISO 7005-2 (PN 16)	
	Stroke	See «Type overview»	
	Valve closing point	Down (▼)	
	Installation position	Upright to horizontal (in relation to the stem)	
	Maintenance	Maintenance-free	
	Materials	Fitting	Cast iron GG25
		Valve cone	Stainless steel
Valve stem		Stainless steel	
Valve seat		Stainless steel	
Stem gland seal		PTFE V-ring	
Dimensions / Weights	Dimensions and weights	See «Dimensions and weights», page 3	
Motorizing	See the Complete overview «The complete range of water solutions»		

Safety notes



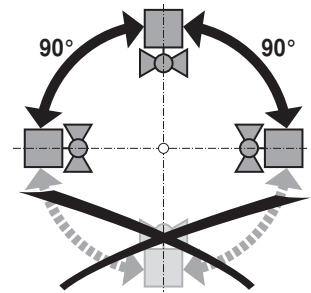
- This globe valve has been designed for use in stationary heating, ventilation and air conditioning systems and is not allowed to be used outside the specified field of application, especially in aircraft or in any other airborne means of transport.
- It may only be installed by suitably trained personnel.
All applicable legal or institutional installation regulations must be complied with.
- The valve does not contain any parts that can be replaced or repaired by the user.
- The valve is not allowed to be disposed of as household refuse. All locally valid regulations and requirements must be observed.
- The recognized rules should be applied when determining the flow characteristic of final controlling elements.

Product features

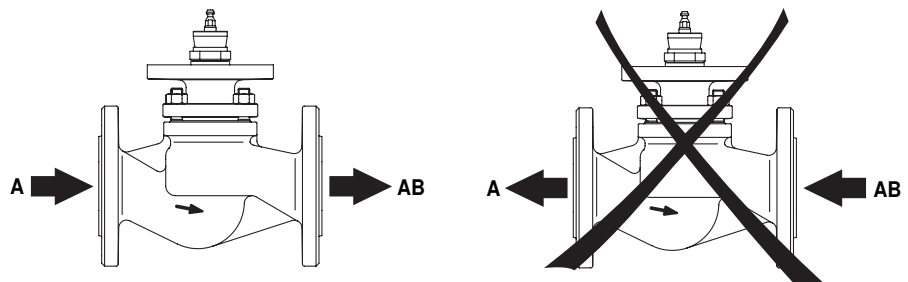
- Mode of operation** The globe valve is operated by an NV or AV series linear actuator. The linear actuators are controlled by a standard modulating or 3-point control system and move the cone of the valve, the throttling device, to the opening position dictated by the control signal.
High closing pressures are permissible thanks to the partially pressure relieved stem and the overflow channels in the valve (see «Technical data»).
- Flow characteristic** An equal-percentage flow characteristic is produced by profiling the valve cone.
- Manual operation** On the NV or AV linear actuator, the valve stem can be actuated manually using a hexagonal key.

Installation notes

- Recommended mounting positions** The globe valve may be mounted either **vertically** or **horizontally**.
It is not permissible, mounting the globe valve with the stem pointing downwards.

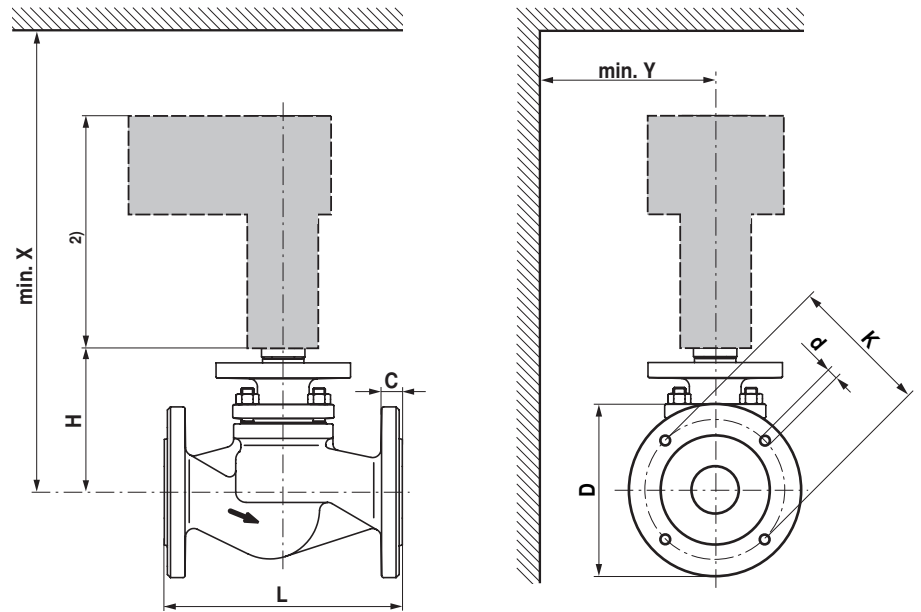


- Water quality requirements**
- The water quality requirements specified in VDI 2035 must be adhered to.
 - Globe valves are relatively sensitive control devices. In order to ensure a long service life, it is advisable to fit **strainers**.
- Maintenance**
- The globe valves and linear actuators are maintenance-free.
 - Before any kind of service work is carried out on actuator sets of this type, it is essential to isolate the linear actuator from the power supply (by unplugging the power lead). Any pumps in the part of the piping system concerned must also be switched off and the appropriate isolating fittings closed (allow everything to cool down first if necessary and reduce the pressure in the system to atmospheric).
 - The system must not be returned to service until the globe valve and the linear actuator have been properly reassembled in accordance with the instructions and the pipework has been refilled in the proper manner.
- Direction of flow** The direction of flow, specified by an arrow on the housing, is to be complied with, since otherwise the globe valve can be damaged.



Dimensions and weights

Dimensional drawings



DN [mm]	L [mm]	H [mm]	D [mm]	C [mm]	K [mm]	d [mm]	X ¹⁾ [mm]	Y ¹⁾ [mm]	Weight [kg]
40	200	136	150	18	110	4x18	550	100	9.0
50	230	142	165	20	125	4x18	560	100	11.9
65	290	155	185	20	145	4x18	570	100	17.1
80	310	173	200	22	160	8x18	590	150	22.9
100	350	193	220	24	180	8x18	740	150	33.5
125	400	245	250	26	210	8x18	790	150	46.9
150	480	306	285	26	240	8x22	850	150	64.6

¹⁾ Minimum distance with respect to the valve centre

²⁾ The actuator dimensions can be found on the respective actuator data sheet.

Further documentations

- Complete overview «The complete range of water solutions»
- Data sheets actuators
- Installation instructions for globe valves and/or actuators
- Notes for project planning (hydraulic characteristic curves and circuits, installation regulations, commissioning, maintenance etc.)