



Presentation example PME7...

Presentation example LME7...

**LME73.000... / PME73.840...**

## Burner control Gas pilot ignition with only one pilot valve

### User Documentation

#### Application:

- 1-stage, without actuator
- 1-stage or modulating, direct or pilot ignited forced draft burner
- Integrated actuator control (parameterized) via 3-position controller
- Integrated valve proving (can be parameterized)
- e.g. for burners to EN 676

The PME7... and this User Documentation are intended for use by OEMs which integrate the LME7... with PME7... in their products.



#### Note!

This documentation is only valid together with LME7... Basic Documentation P7105!

# Contents

1	Supplementary documentation .....	3
2	Warning notes .....	4
3	Typographical conventions .....	4
4	Program sequence PME73.840.....	5
5	List of phase display .....	6
6	Gas pilot ignition 1 (Gp1/2) with only one pilot valve, 1-stage, with valve proving.....	8
7	Valve proving with separate pressure switch .....	9
8	Input gas pressure switch-min .....	11
9	Connection diagram for LME73.000... with actuator SQM4... ..	12
9.1	Connection diagram for LME73.000... without actuator.....	13
10	Time table and settings .....	14
11	Inputs and outputs / internal connection diagram .....	16
12	Parameter list (AZL2... ).....	17
13	Legend .....	21
14	List of figures .....	22

# 1 Supplementary documentation

Type of product	Type of documentation	Document number
LME...	Environmental Product Declaration	E7105
PME...	Environmental Product Declaration	E7105.1
LME7...	Data Sheet	N7105
LME...	Product overview	Q7010
LME7	Basic Documentation	P7105

## 2 Warning notes



### Caution!

The safety, warning and technical notes given in the Basic Documentation on the LME7... Basic documentation (P7105) also apply to this document!

To avoid injury to persons, damage to property or the environment, the following warning notes must be observed!

The LME7... is a safety device! Do not open, interfere with or modify the unit. Siemens does not assume responsibility for damage resulting from unauthorized interference!

## 3 Typographical conventions

### Safety notes

This User Documentation contains instructions which must be observed to ensure your own personal safety and to prevent damage to equipment and property. The instructions and notes are highlighted by warning triangles or a hand symbol and are presented as follows, depending on the hazard level:



#### Warning

means that death, severe personal injury or substantial damage to property can occur if adequate precautionary measures are not taken.



#### Note

Draws your attention to other information about the product and its handling contained in other pieces of documentation.

### Qualified personnel

Only qualified staff are allowed to install and operate the equipment. Qualified staff in the context of the safety-related notes contained in this document are persons who are authorized to commission, ground and tag devices, systems and electrical circuits in compliance with established safety practices and standards.

### Correct use

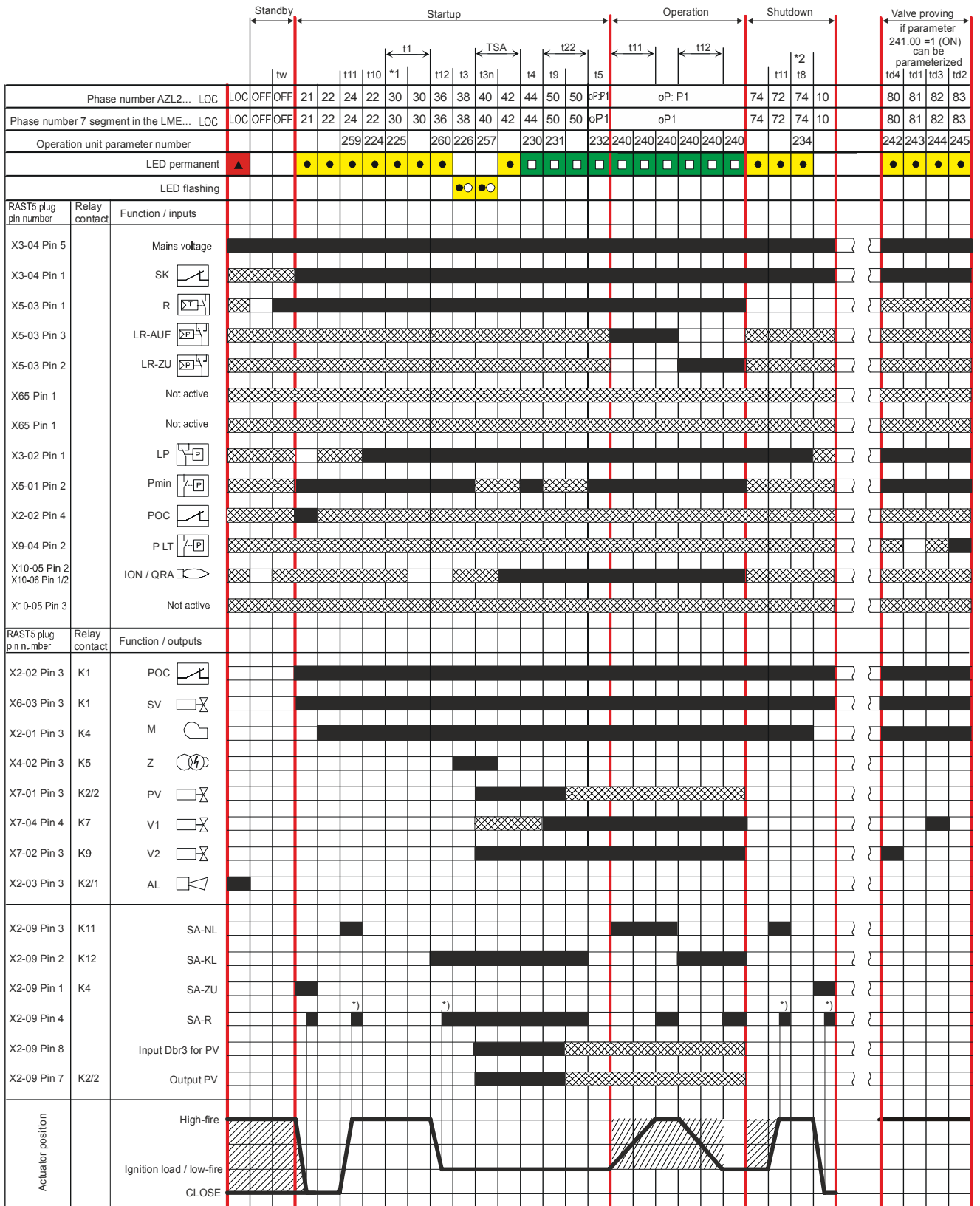
*Note the following:*

The unit may only be used on applications described in the technical documentation and only in connection with third-party products and components approved or recommended by Siemens.

The product can only function correctly and safely if shipped, stored, set up and installed correctly, and operated and maintained as specified.

# 4 Program sequence PME73.840...

→ For connection diagram fuel train G/Gp1/1/Gp1/2



7105d102e/0814

Figure 1: Program sequence

\*) During the actuator's running phases, the actuator's feedback signal must first be OFF, then ON

## 5 List of phase display

Phase number of display		LED	Function
<b>7-segment</b>	<b>AZL2...</b>		
LOC	LOC	OFF	Lockout phase
<b>Standby</b>			
OFF	OFF	OFF	Standby, waiting for heat request
<b>Startup</b>			
P21	Ph21	Yellow	Safety valve ON, air pressure switch in no-load position Test if POC closed (timeout/lockout after 5 seconds) Actuator opens in CLOSE position
P22	Ph22	Yellow	Part 1: Fan motor ON Part 2: Specified time air pressure switch Message (timeout), stabilization air pressure switch
P24	Ph24	Yellow	Actuator travels to the prepurge position (timeout)
P30	Ph30	Yellow	Part 1: Prepurge time without extraneous light test *1 Part 2: Prepurging with extraneous light test (2.1 seconds)
P36	Ph36	Yellow	Actuator travels to the ignition load position (timeout)
P38	Ph38	Yellow	Pre-ignition time
P40	Ph40	Flashing yellow	Postignition time
P42	Ph42	Green	Flame detection
P44	Ph44	Green	Interval: End of safety time and fuel valve 1 ON
P50	Ph50	Green	Part 1: Interval: Fuel valve 1 ON and pilot valve OFF Part 2: Flame-out response time
<b>Operation</b>			
oP1	oP:P1	Green	Interval until load controller release and operation
<b>Shutdown</b>			
P10	Ph10	OFF	Home run
P72	Ph72	Yellow	Actuator travels in postpurge position (timeout)
P74	Ph74	Yellow	Postpurge time *2
<b>Valve proving</b>			
P80	Ph80	Yellow	Test space filling
P81	Ph81	Yellow	Test gas pressure
P82	Ph82	Yellow	Test space evacuating
P83	Ph83	Yellow	Test atmospheric pressure
<b>Safety shutdown phases</b>			
P01	Ph01	Yellow / red	Under voltage / over voltage
P02	Ph02	Yellow	Safety shutdown (e.g. open safety loop) → Lockout
P04	Ph04	Green / red	Extraneous light in standby
P90	Ph90	Yellow	Gas pressure switch-min open → Safety shutdown and startup prevention

*1	Valve proving during prepurging, if - Parameter 241.00 = 1 and Parameter 241.02 = 1 or - Parameter 241.00 = 1 and Parameter 241.01 = 0 or - Parameters 234 (Postpurge time) = 0 seconds
*2	Valve proving during postpurging, if - Parameter 241.00 = 1 and Parameter 241.02 = 1 or - Parameters 241.00 = 1 and Parameter 241.01 = 1 and - Parameters 234 (Postpurge time) = >0 seconds

## 6 Gas pilot ignition 1 (Gp1/2) with only one pilot valve, 1-stage, with valve proving

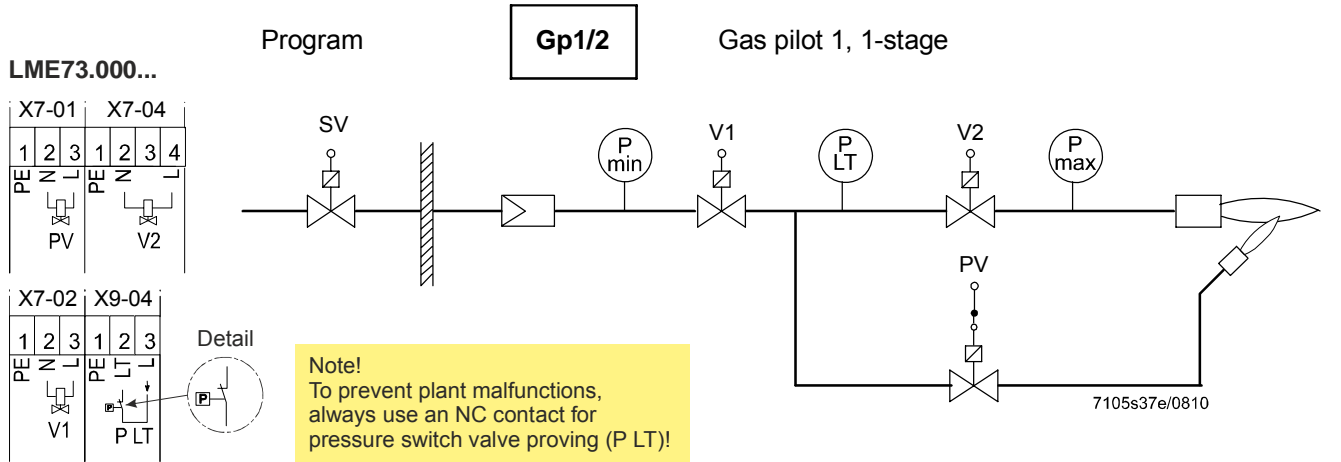


Figure 2: Gas pilot ignition 1 (Gp1/2), 1-stage, with valve proving



### Note!

Here – contrary to the information given in the User Documentation (A7105.27) – fuel valve 1 is to be connected to terminal strip X7-02 and fuel valve 2 to terminal strip X7-04.

### Legend

Pmax	Pressure switch-max
Pmin	Pressure switch-min
P LT	Pressure switch valve proving
SV	Safety valve
V...	Fuel valve



# 7 Valve proving with separate pressure switch

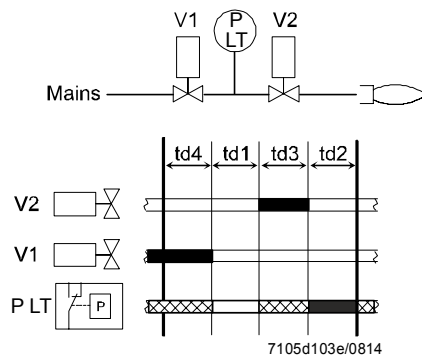


Figure 3: Valve proving with separate pressure switch

**Step 1: td4 Test space filling**  
The gas valve on the mains side is opened to fill the gas pipe.

**Step 2: td1 Test gas pressure**  
The gas valve is closed whereupon the pressure in the test space must exceed a certain level.

**Step 3: td3 Test space evacuating**  
The gas valve on the burner side is opened to take the test space to atmospheric pressure.

**Step 4: td2 Test atmospheric pressure**  
When the gas valve is closed, the gas pressure must drop below a certain level.

**Legend**

- td1 Test gas pressure
- td2 Test atmospheric pressure
- td3 Test space evacuating
- td4 Test space filling
- V... Fuel valve
- P LT Pressure switch valve proving
- Input/output signal 1 (ON)
- Input/output signal 0 (OFF)
- ▨ Input permissible signal 1 (ON) or 0 (OFF)

Query logic of gas pressure switch for gas valve proving:

- Gas pressure present → pressure switch open
- Gas pressure not present → pressure switch closed

No.	Parameter
241.00	Valve proving 0 = OFF 1 = ON <sup>1)</sup>
242	Valve proving (time td4) test space filling
243	Valve proving (time td1) test gas pressure
244	Valve proving (time td3) test space evacuating
245	Valve proving (time td2) test atmospheric pressure

<sup>1)</sup> Valve proving during postpurging, if parameter 234 > 0 (postpurge time) and parameter 241.01 = 1

## Program sequence with gas valve proving

### During startup

Gas valve proving during startup is performed only after a reset from the lockout position, after power ON, and when parameter 234 = 0 seconds.

In that case, gas valve proving takes place at the same time as prepurging. This means that the prepurge time corresponds to at least the sum of all 4 gas valve proving parameters (242, 243, 244, and 245).

### During shutdown

Gas valve proving during shutdown is performed only if the postpurge time >0 (Parameter 234 >0). If no postpurge time is parameterized, gas valve proving takes place during startup when prepurging.

During shutdown (heat request OFF), it is checked if parameter 241.00 = 1 (gas valve proving ON) and parameter 234 ≠ 0 seconds before the valves close.

This means that, first, fuel valve 1 is closed. Fuel valve 2 remains open so that the remaining gas in the test space can be burned. The postpurge time runs at the same time as gas valve proving. This means that the postpurge time corresponds to at least the sum of all 4 gas valve proving parameters (242, 243, 244, and 245).

Before prepurging and valve proving, the actuator opens in high-fire position.



#### Caution!

**The OEM must set the evacuation, filling and test times for atmospheric or mains pressure on every plant in compliance with the requirements of EN 1643. If not observed, there is a risk of impairment of safety functions.**

It must be ensured that the 2 test times are correctly set. It is to be checked whether the gas required for the test may be fed into the combustion chamber (on the relevant application). The test times are safety-related. After a reset and in the case of aborted or prevented valve proving, the unit will perform valve proving the next time it is started up (only when valve proving is activated). In the case of valve proving, prepurging is active during the startup phase, even if it has been deactivated.

Examples of aborted valve proving:

When the safety loop or the start prevention input for gas (containing pressure switch-min) opens during valve proving.

### Valve proving – calculation of leakage rate

$$t_{\text{test}} = \frac{(P_G - P_W) \cdot V \cdot 3600}{P_{\text{atm}} \cdot Q_{\text{Leck}}}$$

QLeck	in l/h	Leakage rate in liters per hour
PG	in mbar	Overpressure between the valves at the beginning of the test phase
PW	in mbar	Overpressure set on the pressure switch (normally 50 % of the gas inlet pressure)
Patm	in mbar	Absolute air pressure (1013 mbar normal pressure)
V	in l	Volume between the valves (test volume) including valve volume Valve volume and pilot pipe, if present
ttest	in s	test time

## 8 Input gas pressure switch-min

Behavior in the event gas pressure switch-min fails (terminal X5-01 pin 2 and pin 3)

If gas pressure switch-min fails, safety shutdown and start prevention will be initiated, until the gas pressure switch-min closes again.

During the start prevention the yellow LED lights up and the safety loop is active. Burner control is in Phase 90.

## 9 Connection diagram for LME73.000... with actuator SQM4...



### Note!

The connection diagram shown is merely an example which must be verified in the individual case depending on the application!

**PME73.840... 1-stage modulating**  
**With/without pilot ignition**  
**With/without valve proving**

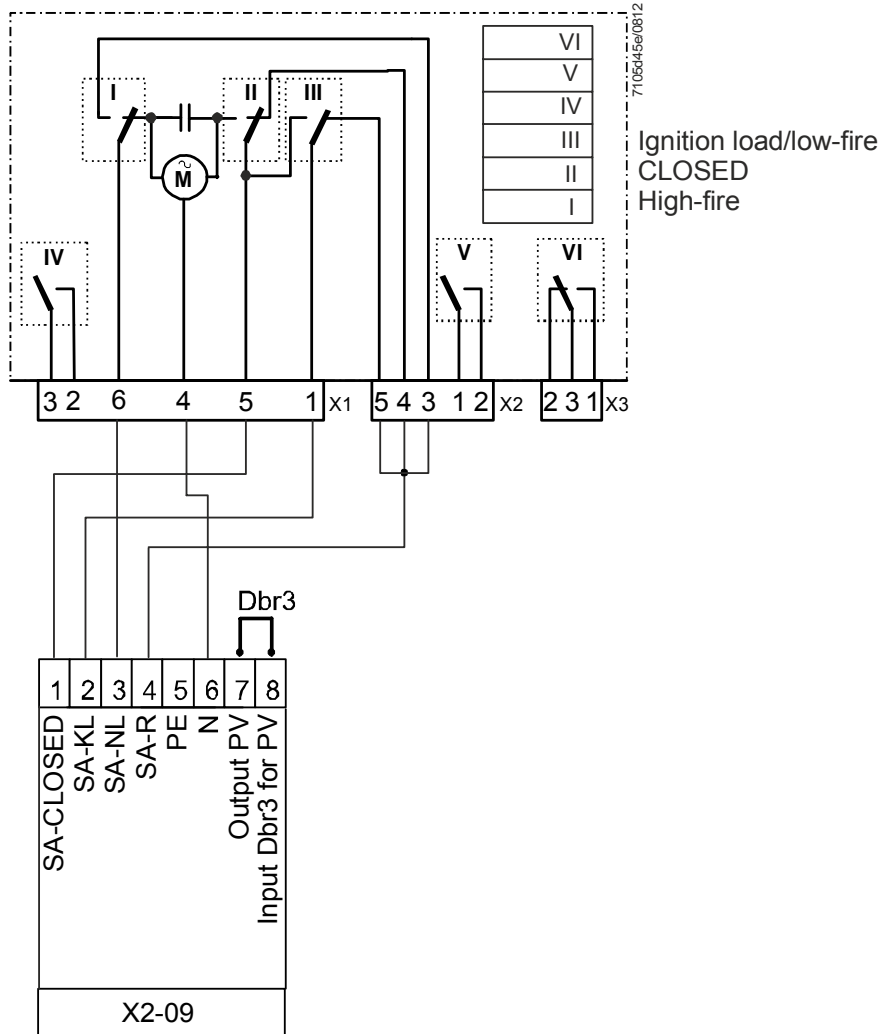


Figure 4: Connection diagram for LME73.000... with actuator SQM4...

## 9.1 Connection diagram for LME73.000... without actuator



### Note!

The connection diagram shown is merely an example which must be verified in the individual case depending on the application!

**PME73.840... 1-stage**  
**With/without pilot ignition**  
**With/without valve proving**  
**Without actuator**

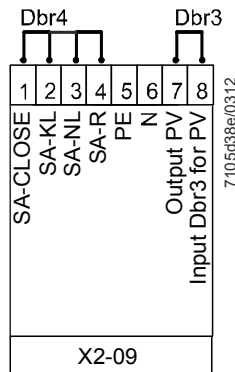


Figure 5: Connection diagram for LME73.000... without actuator SQM4...

- When using the LME73.000... without actuator according to application *Gas direct ignition (G)*, *1-stage* or *gas direct ignition 1 (G)*, *1-stage*, *with valve proving*, wire link Dbr4 must be fitted to the actuator connector terminal X2-09 as shown in the figure above
- Parameter 515.01 must be set to 0

# 10 Time table and settings

Type	Times in seconds																	
	tw	TSA max.	t1 P225 <sup>4)</sup> min.	t3 P226 min.	t3n P257 approx.	t4 P230 min.	t5 P232 min.	t8 P234 <sup>5)</sup> min.	t9 P231 approx.	t10 P224 approx.	t11 P259 approx.	t12 P260 approx.	t22	1)	2)	3)	td1 P243 td2 P245 min.	td3 P244 td4 P242 max.
Requirements	2.5	3	30	6	2.5	9	8.5	15	3	15	300	300	t9+1	---	---	---	10	3
Factory setting	---	t3n+0.45	29.106+2.1	6.174	2.205+0.3	9.408	8.82	19.404	2.646	13.818	300.762	300.762	---	---	---	---	10.29	2.646
Max.	2.5	14	1237+2.1	37.485	13.23+0.3	74.97	74.97	1237	74.97	13.818	1237	1237	---	1	0.45	0.45	37.485	2.646
Min.	---	---	0+2.1	1.029	0+0.3	3.234	2.058	0	0	0	0	0	---	0.3	0.3	---	1.029	0
Step size	---	---	4.851	0.147	0.147	0.294	0.294	4.851	0.294	0.294	4.851	4.851	---	---	---	---	0.147	0.147

Function parameter	Parameter number	Factory setting
Repetition in the event of loss of flame during operation 0: None 1: None 2: 1 x repetition	240	0
Valve proving 0: OFF 1: ON	241.00	1
Valve proving 0: During prepurge time 1: During postpurge time	241.01	1
Valve proving 0: see parameter 241.01 1: During prepurge time and postpurge time	241.02	0
Actuator position during prepurge time and postpurge time 0: Purging in low-fire 1: Purging in high-fire	515.00	1
Application with/without actuator 0: Without actuator 1: With actuator	515.01	1
Continuous pilot (during operation) 0: OFF 1: ON	247	0

## Legend

tw      Waiting time  
TSA    Safety time  
t1      Prepurge time  
t3      Pre-ignition time  
t3n     Postignition time parameter 257 +0.3 seconds  
t4      Interval: End of safety time - fuel valve 1 ON  
t5      Interval: Pilot valve OFF - load controller (LR) release  
t8      Postpurge time  
t9      Interval: Fuel valve 1 ON - pilot valve OFF  
t10     Specified time air pressure switch message (timeout)  
t11     Opening time of actuator (timeout)  
t12     Closing time of actuator (timeout)  
t22     2nd safety time

td1    Test gas pressure  
td2    Test atmospheric pressure  
td3    Test space evacuating  
td4    Test space filling

- 1)      Reaction time to a change of signal by the air pressure switch contact (opens) and flame-out response time in the event of loss of flame
- 2)      Response time to a change of signal by the inputs (e.g. pressure switch-min)
- 3)      Flame detection time
- 4)      Minimum time  $td1 + td2 + td3 + td4$  if: Parameter 241.00 1 (ON), after mains ON, with lockout, parameter 234 (postpurge time) = 0 (postpurging) or parameter 241.01: 0
- 5)      Minimum time  $td1 + td2 + td3 + td4$  if: Parameter 241.00 1 (ON) and parameter 234 (postpurge time) >0 (postpurging) and parameter 241.01: 1

# 11 Inputs and outputs / internal connection diagram

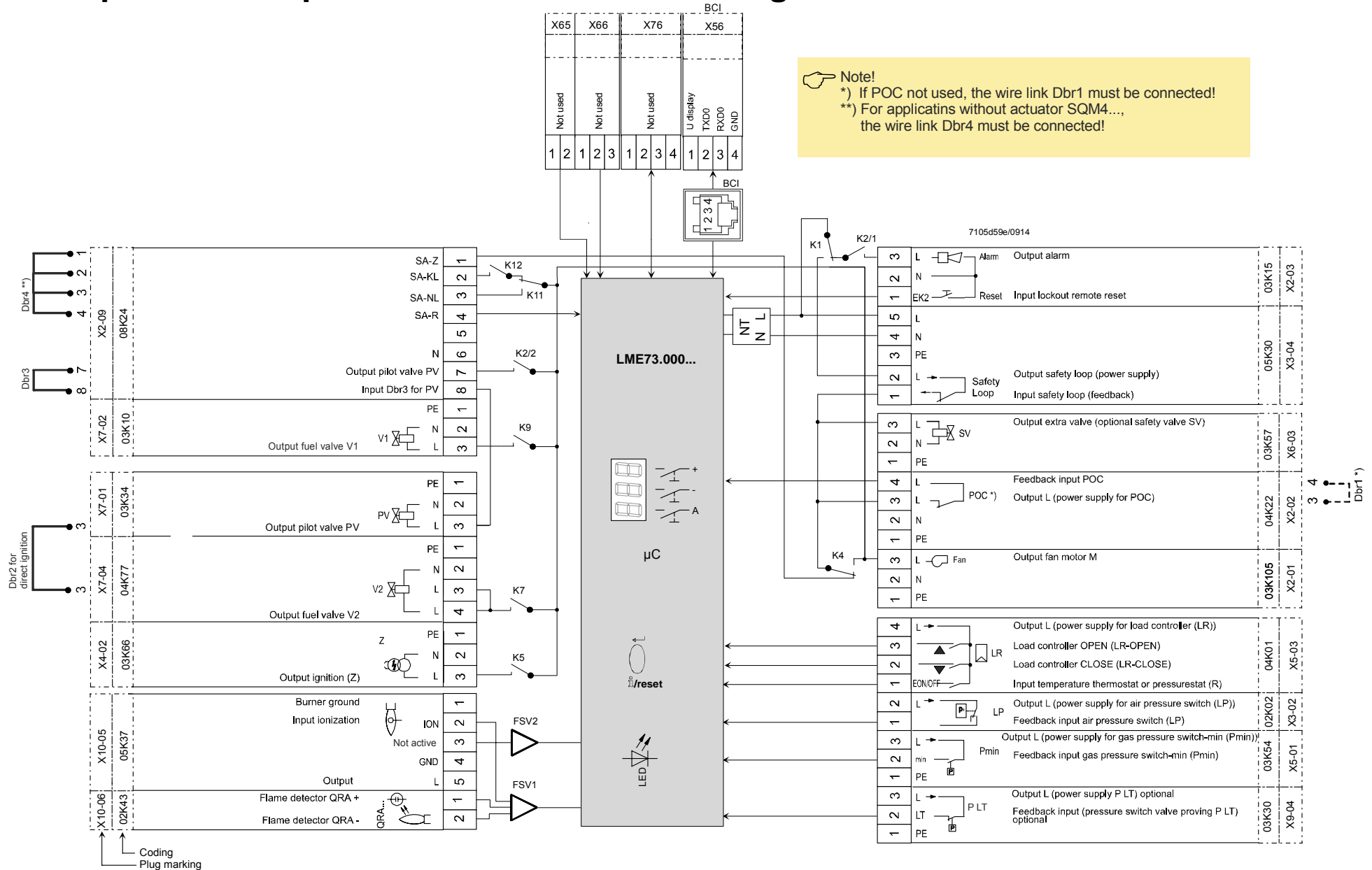


Figure 6: Inputs and outputs/internal connection diagram



## 12 Parameter list (AZL2...)

Parameter-number	Parameter	Edit	Value range		Resolution	Factory setting	Password level reading from level	Password level writing from level
			Min.	Max.				
<b>000</b>	<b>Internal parameter</b>							
41	Heating engineer's password (4 characters)	Edit	xxxx	xxxx	---	---	---	OEM
42	OEM's password (5 characters)	Edit	xxxxx	xxxxx	---	---	---	OEM
60	Backup/restore	Edit	Restore	Backup	---	---	---	SO
<b>100</b>	<b>General</b>							
102	Identification date	Read only	---	---	---	---	Info	---
103	Identification number	Read only	0	9999	1	0	Info	---
113	Identification of burner	Edit	x	xxxxxxxx	1	burnErlD	Info	SO
140	Mode display of display and operating unit AZL2... 1: Standard (program phase) 2: Flame 1 (QRA.../ION) 3: Flame 2 (QRB.../QRC...) ⇒ not used 4: Active power (power value)	Edit	1	4	1	1	SO	SO
164	Number of startups resettable	Resettable	0	999999	1	0	Info	Info
166	Total number of startups	Read only	0	999999	1	0	Info	---
170.00	Switching cycles relay contact K12	Read only	0	999999	1	0	Info	---
170.01	Switching cycles relay contact K11	Read only	0	999999	1	0	Info	---
170.02	Switching cycles relay contact K2	Read only	0	999999	1	0	Info	---
170.03	Switching cycles relay contact K1	Read only	0	999999	1	0	Info	---
171	Max. Max. switching cycles relay	Read only	0	999999	1	0	Info	---





Parameter-number	Parameter	Edit	Value range		Resolution	Factory setting	Password level reading from level	Password level writing from level
			Min.	Max.				
<b>200</b>	<b>Burner control</b>							
224	Specified time air pressure switch	Edit	0 s	13.818 s	0.294 s	13.818 s	SO	OEM
225	Prepurge time -2.1 seconds	Edit	0 s	1237 s	4.851 s	29.106 s	SO	OEM
226	Pre-ignition time	Edit	1.029 s	37.485 s	0.147 s	6.174 s	SO	OEM
230	Interval: End of safety time - fuel valve 1 ON	Edit	3.234 s	74.97 s	0.294 s	9.408 s	SO	OEM
231	Interval: Fuel valve 1 ON - pilot valve OFF	Edit	0 s	74.97 s	0.294 s	2.646 s	SO	OEM
232	Interval: Pilot valve OFF - load controller (LR) release	Edit	2.058 s	74.97 s	0.294 s	8.820 s	SO	OEM
234	Postpurge time	Edit	0 s	1237 s	4.851 s	19.404 s	SO	OEM
240	Repetition in the event of loss of flame during operation 0: None 1: None 2: 1 x repetition	Edit	0	2	1	0	SO	OEM
241.00	Valve proving 0: OFF 1: ON	Edit	0	1	1	1	SO	OEM
241.01	Valve proving 0: During prepurge time 1: During postpurge time	Edit	0	1	1	1	SO	OEM
241.02	Valve proving 0: see parameter 241.01 1: During prepurge time and postpurge time	Edit	0	1	1	0	SO	OEM
242	Valve proving test space filling	Edit	0 s	2.648 s	0.147 s	2.648 s	SO	OEM
243	Valve proving time test gas pressure	Edit	1.029 s	37.485 s	0.147 s	10.290 s	SO	OEM
244	Valve proving test space evacuating	Edit	0 s	2.648 s	0.147 s	2.648 s	SO	OEM
245	Valve proving time test atmospheric pressure	Edit	1.029 s	37.485 s	0.147 s	10.290 s	SO	OEM
247	Continuous pilot (during operation) 0: OFF 1: ON	Edit	0	1	1	0	SO	OEM
257	Postignition time -0.3 seconds	Edit	0 s	13.23 s	0.147 s	2.205 s	SO	OEM
259	Opening time of actuator (timeout)	Edit	0 s	1237 s	4.851 s	300.762 s	SO	OEM
260	Closing time of actuator (timeout)	Edit	0 s	1237 s	4.851 s	300.762 s	SO	OEM
515.00	Actuator position during prepurge time and postpurge time 0: Purging in low-fire 1: Purging in high-fire	Edit	0	1	1	1	SO	OEM
515.01	Application with/without actuator 0: Without actuator 1: With actuator	Edit	0	1	1	1	SO	OEM

Parameter-number	Parameter	Edit	Value range		Resolution	Factory setting	Password level reading from level	Password level writing from level
			Min.	Max.				
<b>700</b>	<b>Error history</b>							
701	Current error: 00: Error code 01: Startup meter reading 02: HMI phase 03: Power value	Read only	2 0 --- 0%	255 999999 --- 100%	1 1 --- 1	---	Service	---
702	Error history former 1: 00: Error code 01: Startup meter reading 02: HMI phase 03: Power value	Read only	2 0 --- 0%	255 999999 --- 100%	1 1 --- 1	---	Service	---
• • •								
711	Error history former 10: 00: Error code 01: Startup meter reading 02: HMI phase 03: Power value	Read only	2 0 --- 0%	255 999999 --- 100%	1 1 --- 1	---	Service	---
<b>900</b>	<b>Process data</b>							
936	Normalized speed	Read only	0%	100%	0.01%	---	Service	---
951	Mains voltage	Read only	0 V	LME73.000A1: 175 V LME73.000A2: 350 V	1 V	---	Service	---
954	Flame intensity	Read only	0%	100%	1%	---	Service	---

## Error code list

Error code		Clear text	Possible cause
AZL2...	7-segment		
Loc: 2	Loc 2	No Flame at end of safety time Safety time	<ul style="list-style-type: none"> <li>- Faulty or soiled fuel valves</li> <li>- Faulty or soiled flame detector</li> <li>- Poor adjustment of burner, no fuel</li> <li>- Faulty ignition equipment</li> </ul>
Loc: 3	Loc 3	Air pressure failure (air pressure switch has welded in the no-load position, drop-out after specified time) (air pressure switch flame-on response time)	Air pressure switch faulty <ul style="list-style-type: none"> <li>- Loss of air pressure signal after specified time</li> <li>- Air pressure switch has welded in no-load position</li> </ul>
Loc: 4	Loc 4	Extraneous light	Extraneous light during burner startup
Loc: 5	Loc 5	Air pressure faulty, air pressure switch welded in working position	Time supervision air pressure switch <ul style="list-style-type: none"> <li>- Air pressure switch has welded in working position</li> </ul>
Loc: 6	Loc 6	Fault of actuator	<ul style="list-style-type: none"> <li>- Actuator faulty or blocked</li> <li>- Faulty connection</li> <li>- Wrong adjustment</li> </ul>
Loc: 7	Loc 7	Loss of flame	Too many losses of flame during operation (Limitation of the number of repetitions) <ul style="list-style-type: none"> <li>- Faulty or soiled fuel valves</li> <li>- Faulty or soiled flame detector</li> <li>- Poor adjustment of burner</li> </ul>
Loc: 10	Loc 10:	Error not relatable (application) Internal error	Wiring error or internal error, output contacts, other faults
Loc: 12	Loc 12	Valve proving	Fuel valve 2 leak
Loc: 13	Loc 13	Valve proving	Fuel valve 1 leak
Loc: 14	Loc 14	POC error	Error valve's closing control POC
Loc: 22	Loc 22	Safety loop open	<ul style="list-style-type: none"> <li>- Gas pressure switch-max open</li> <li>- Safety limit thermostat cut out</li> </ul>
Loc: 138	Loc 138	Restore process successful	Restore process successful
Loc: 139	Loc 139	No program module detected	No program module plugged in
Loc: 167	Loc 167	Manual locking	Manual locking
Loc: 206	Loc 206	AZL2... incompatible	Use the latest version
rSt Er1	rSt Er1	Error in compatibility program module to basic unit during restore process	Program sequence of program module does not match the basic unit
rSt Er2	rSt Er2	Error in compatibility program module to basic unit during restore process	Hardware of basic unit does not match the program module
rSt Er3	rSt Er3	Error during restore process	<ul style="list-style-type: none"> <li>- Program module faulty</li> <li>- Program module removed during restore process</li> </ul>
bAC Er3	bAC Er3	Fault of compatibility program module to basic unit during backup process	Program sequence of program module does not match the basic unit
Err PrC	Err PrC	Fault of program module	<ul style="list-style-type: none"> <li>- Error in data content of program module</li> <li>- No program module fitted</li> </ul>

# 13 Legend

AL	Alarm device
Dbr...	Wire link
 ↑/reset (EK1)	Lockout reset button (info button)
EK2	Remote lockout reset button
FSV	Flame signal amplifier
ION	Ionization probe
K...	Relay contact
LED	3-color signal lamp
LP	Air pressure switch
LR	Load controller
LR-OPEN	Load controller OPEN position
LR-CLOSED	Load controller CLOSED position
M	Fan motor
NT	Power supply unit
P LT	Pressure switch valve proving
Pmax	Pressure switch-max
Pmin	Pressure switch-min
POC	Valve's closing control (proof of closure)
PV	Pilot valve
QRA...	Flame sensor
R	Control thermostat or pressurestat
SA	Actuator
SA-KL	Actuator low-fire
SA-NL	Actuator high-fire
SA-R	Actuator feedback
SA-CLOSE	Actuator CLOSED
SA-ZL	Actuator ignition load
SK	Safety Loop
SV	Safety valve
V1	Fuel valve
V2	Fuel valve
Z	Ignition transformer
	Input/output signal 1 (ON)
	Input/output signal 2 (OFF)
	Input permissible signal 1 (ON) or 0 (OFF)

# 14 List of figures

Figure 1: Program sequence .....	5
Figure 2: Gas pilot ignition 1 (Gp1/2), 1-stage, with valve proving .....	8
Figure 3: Valve proving with separate pressure switch.....	9
Figure 4: Connection diagram for LME73.000... with actuator SQM4... ..	12
Figure 5: Connection diagram for LME73.000... without actuator SQM4... ..	13
Figure 6: Inputs and outputs/internal connection diagram .....	16